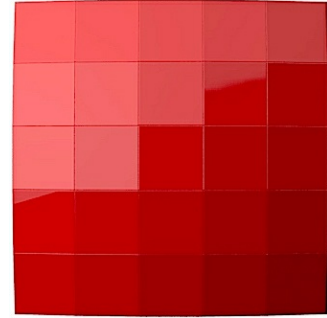
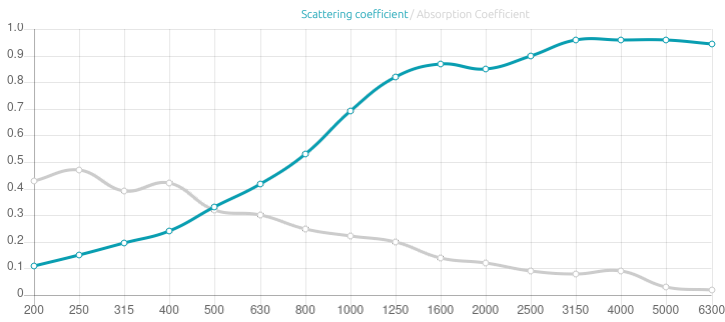
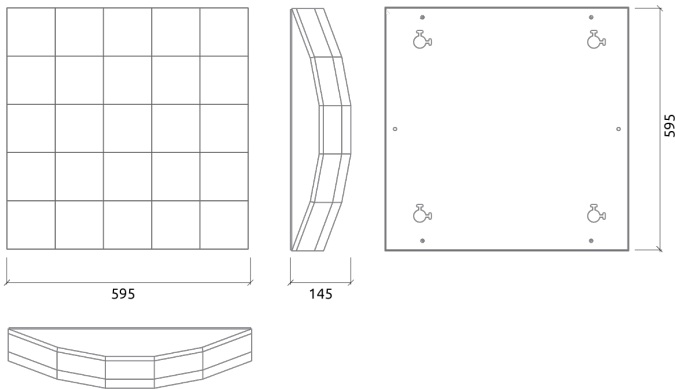


Performance



Technical Information



Features

Type: 2D - Geometric Diffuser
 Scattering range: 600 Hz to 6000 Hz

This product is available in the following Fire Rate:
 FG | Furniture Grade

PRODUCT COMPOSITION:

Jaya | Natural wood veneer
 - Natural wood veneer
 - HMDF and plywood structure

Jaya | Lacquered HMDF
 - Lacquered HMDF
 - HMDF and plywood structure

Integrated Fixing System

Dimensions:

FG - LW | 595x595x150mm | 3.4 Kg
 FG - NW | 595x595x150mm | 3.12 Kg

Jaya W Diffuser is a product with an exquisite design, aiming to reach maximum high frequency diffusion. This handmade elliptic panel was designed to give you maximum efficiency in every way, particularly at high frequencies. The scattering of this panel begins at 600 Hz and offers effective and even diffusion up to 6000 Hz. This premium product is available in a wood finish or in lacquered colours, making it ideal to be used on the front, back or side walls of your room, as well as ceilings.

Product finishes

(FG - LW) Lacquered Wood Finishes



FG | (L06) Noir Vintage



FG | (L07) Graphite Black



FG | (L09) Classic Gold



FG | (L10) Bronze



FG | (L20) Grey Aluminium



FG | (L21) Gloss White



FG | (L22) Jet Black



FG | Custom RAL

(FG - NW) Natural Wood Finishes



FG | (W08) Wenge Natura



FG | (W09) Black Walnut Natura



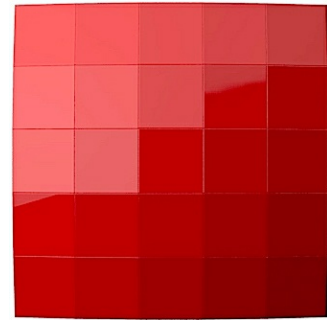
FG | (W11) Okoumé Natura



FG | (W12) Ash Natura



FG | (W13) Oak Natura



Purpose

- Improving low Frequency response
- Flutter echo control
- Specular reflection control
- Enlarging sweet spot

Recommended for

- Hi-Fi Listening Room
- Media Room
- Home Cinema

Fixing Systems

Wall & Ceiling



+ FixArt Clip



+ FixArt Tube