

TECHNICAL SPECIFICATIONS



Dimensions: 51 cm seat centres
15.5 cm depth
83.5 cm height

Backrest: Extrusion blow moulded in texturized high-density polyethylene, fully upholstered.

Seat: Extrusion blow moulded in texturized high-density polyethylene, fully upholstered.
When the seat pan unfolds, the backrest leans and raises, thus adopting a standard position and so, the armrests remain in horizontal position, everything in a same single synchronized movement. The seat pan folds under an automatic noiseless maintenance-free gravity system.

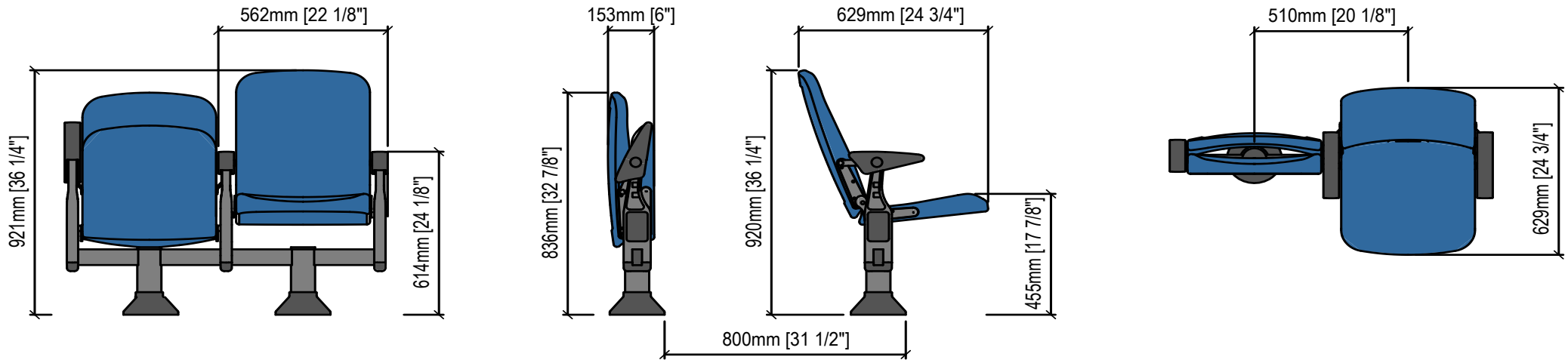
Side panel: Aluminium injection, finish in epoxy paint, fixed over a rectangular carbon steel bar. End row panels in texturized injected polypropylene.
Concealed floor fixation system.

Armrest: Rounded texturized injected polypropylene.

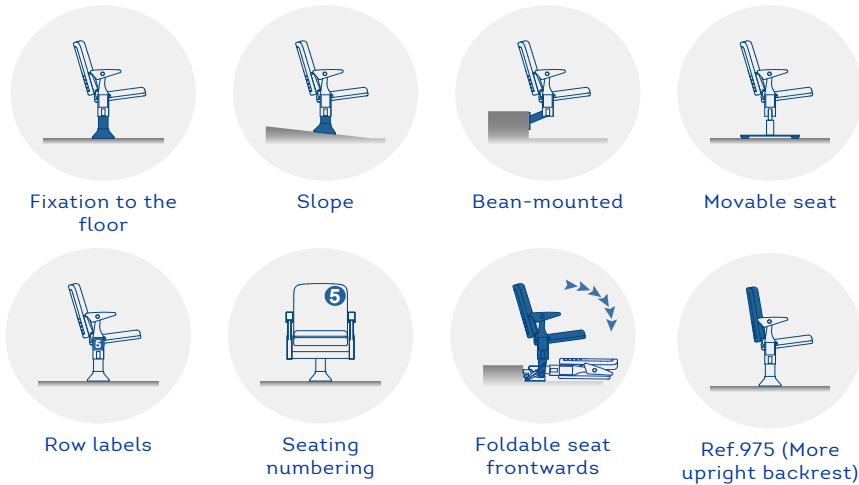
Volume: 0.09 m³/unit

Weight: 15 Kg not assembled

DRAWING



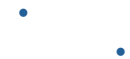
OPTIONS



CERTIFICATES

UNE 23.727-90 1R (M2 / M3) Opitonal
M2 o M1 (Opcional)

Plástico Tejido



Euro Seating reserves the right to modify the dimensions and characteristics without prior notice. All dimensions and specifications are given for information purposes only.