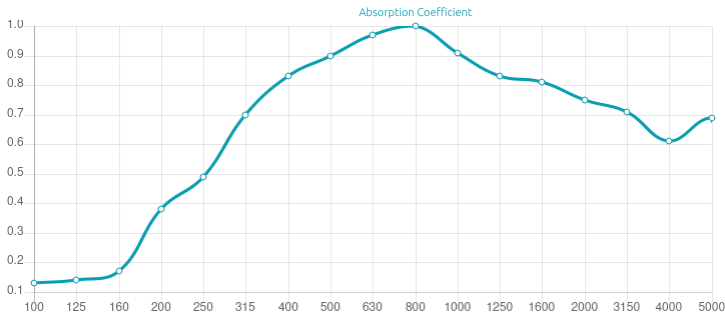
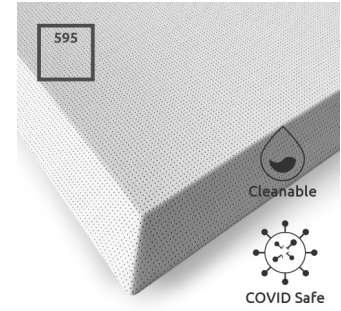
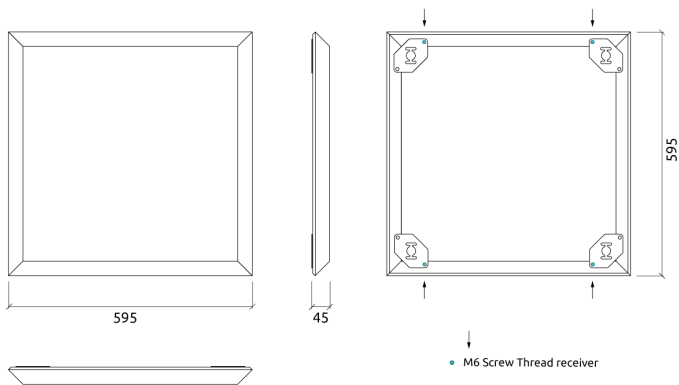




Performance



Technical Information



Features

Absorption Range: 315 Hz to 5000 Hz
Acoustic Class: C | (aw) = 0,75

This product is available in the following Fire Rate:
FR | Fire Rated

PRODUCT COMPOSITION:

- Troy Med CL | Acoustic Antimicrobial & Cleanable Faux Leather (FR)
- Acoustic Antimicrobial & Cleanable Faux Leather
- Fire Retardant HMDF Structural Frame
- Sound PET acoustic core - Euro Class B

This panel is installed with an integrated fixing system, hung on screws.

Also compatible with the following fixing systems.

Dimensions:

FR - TB | 595x595x45mm | 2,47 Kg

Noise in healthcare facilities is a well know problem with serious consequences. Acoustic levels in today's hospitals are the highest ever documented and have a tremendous impact on the privacy, comfort and stress levels of patients and staff. Even in well-being spaces, such as gyms, pools or spas; acoustic comfort plays a huge role in how beneficial and enjoyable our experience is.

Troy is an efficient fabric absorber panel, with high-performance levels reaching down to the 315 Hz region. Troy's outer frame encloses all sides of the panel, that also has a simple, integrated fixing system, that installs the panel flush to the surface, which make this panel a perfect choice for ceiling and wall applications.

Product finishes

(FR - TB) Antimicrobial Fabric Finishes



FR | (TV181) Delft



FR | (TV182) Skylight



FR | (TV183) Auster



FR | (TV184) Perle



FR | (TV185) Schwarz



FR | (TV186) Pure White



FR | (TV187) Leinen



FR | (TV188) Squash

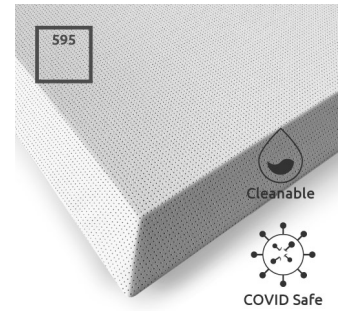


FR | (TV189) Avocado



FR | (TV190) Kirsche

Troy Med CL SQR - Absorber



Purpose

- Noise Control
- RT reduction
- Flutter echo control
- Reducing excessive reverberation
- Improving speech intelligibility

Recommended for

- Healthcare
- Intensive Care Units
 - Emergency Rooms
 - Medical Private Rooms
 - Medical Consultation Offices
 - Medical Wards
 - Medical Ward Corridors
 - Waiting Rooms
 - Receptions

- Well-being
- Private Rooms
 - Consultation Rooms
 - Locker-Rooms
 - Massage Rooms
 - Waiting Rooms
 - Receptions